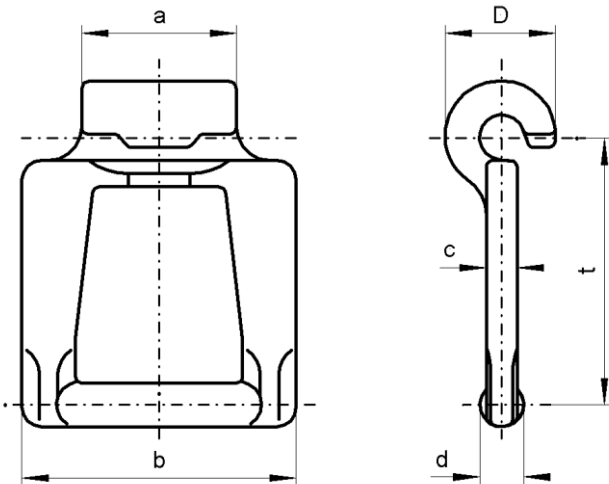
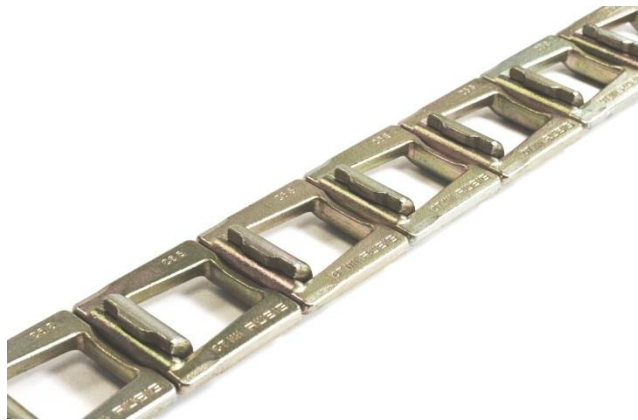




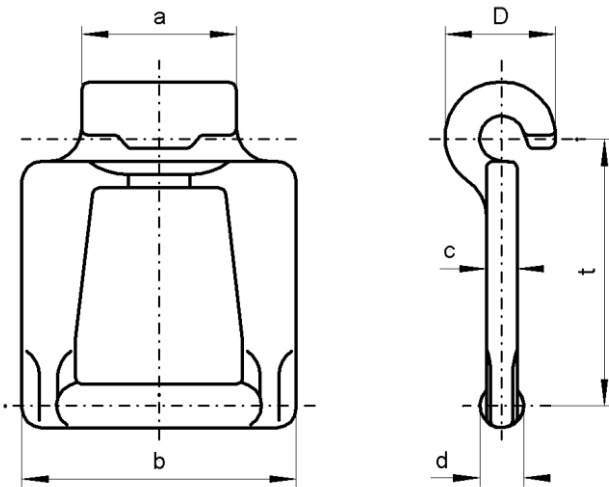
## RÜBIG CHAIN „C“ SERIES

- higher operating and breaking load
- special hook design, which prevents the chain from unhooking by reversing or by extensive wear or tear
- long lifespan
- weldable

This type of chain is a further development of the proven RÜBIG chain system. It is designed to run under difficult operating conditions; combining high strength, durability, resistance and extreme ruggedness for ease use.



type	order no.	dimensions in [mm]						max (*) recommended working load	breaking strain
		t	a	b	d	c	D		
C6 S	07606600	60,6	37	62	10	7	25	29 kN	80 kN
C7 S	07670600	67	37	62	10	7	25	29 kN	80 kN
C7 V	07670700	67	37	62	10	7	25	33 kN	100 kN



type	order no.	dimensions in [mm]						max (*) recommended working load	breaking strain
		t	a	b	d	c	D		
C8 S	07785600	78,5	47	82	13	8	32	48 kN	125 kN
C8 V	07785700	78,5	47	82	13	8	32	55 kN	170 kN
C10 V	07100700	100	49	85	14	10	35	64 kN	230 kN

versions:	field of application:
S high strength	standard version,
V high wear resistant	for use with mineral material to be conveyed and / or higher running speed
* ...	for a lifetime of up to 10000 max. load cycles. For higher demands on lifetime, the max. operating load has to be reduced. (Please contact us for further information)